

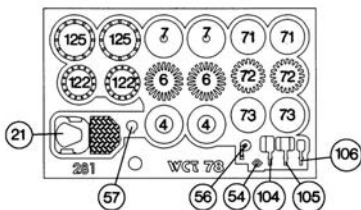
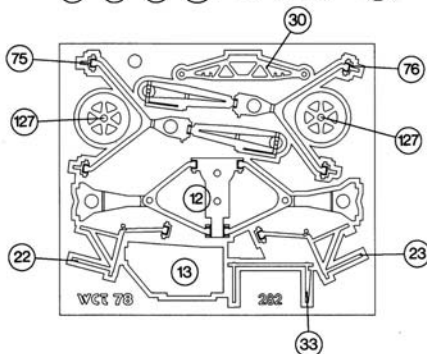
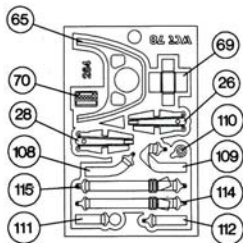
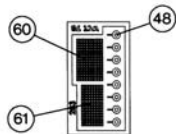
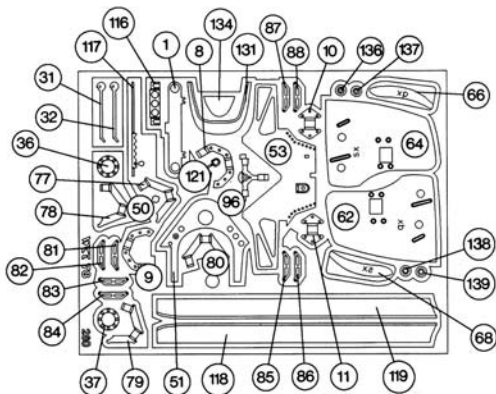


**WORLD
CHAMPION
LAMEO
WCT78**

LOTUS 79

**J. CLARK
G.P. FRANCIA 1978
WORLD CHAMPION 1978**





G.P. BELGIO	1*	Andretti	-	2*	Peterson
G.P. SPAGNA	1*	Andretti	-	2*	Peterson
G.P. SVEZIA	ret.	Andretti	-	3*	Peterson
G.P. FRANCIA	1*	Andretti	-	2*	Peterson
G.P. INGHILTERRA	ret.	Andretti	-	ret.	Peterson
G.P. GERMANIA	1*	Andretti	-	ret.	Peterson
G.P. AUSTRIA	ret	Andretti	-	1*	Peterson
G.P. OLANDA	1*	Andretti	-	2*	Peterson
G.P. ITALIA	sq.	Andretti	-	ret.	Peterson
G.P. USA	ret.	Andretti	-	15*	Jarier
G.P. CANADA	10*	Andretti	-	ret.	Jarier

NeroLucido/Glossy Black :

TAMIYA TS14
 FORD 0632 7 A 7 A9 BLACK
 BMW 086 SCHWARTZ
 FIAT 601 NERO 2CT

Argento / Silver :

Alluminio/Aluminum :
 Rosso/ Red :
 Nero satinato/Semi Gloss Black :
 Blu opaco/Flat Blue:
 Oro/Gold:

TAMIYA X11
 TAMIYA XF16
 TAMIYA X7
 TAMIYA X18
 TAMIYA XF8
 TAMIYA X12

TAMEO KITS srl

Viale C.Colombo, 36-38
 17022 BORGIO VEREZZI SV ITALY
 Tel. 39 019 - 615.250 Fax. 39 019 - 615.310

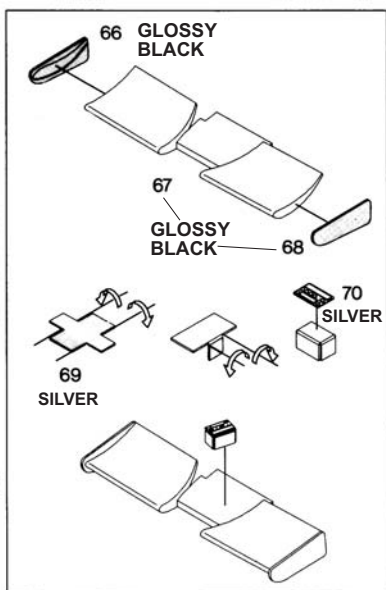
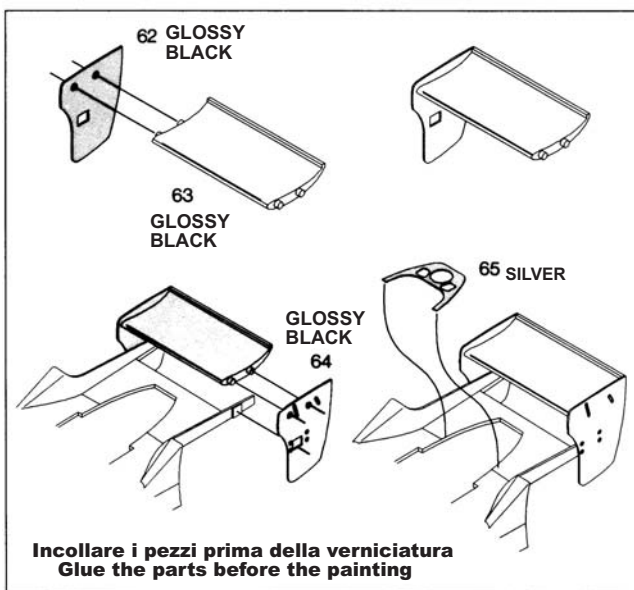
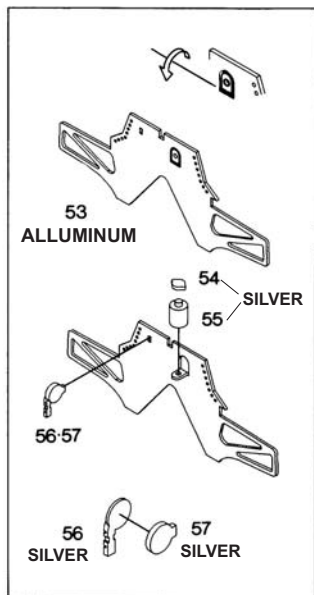
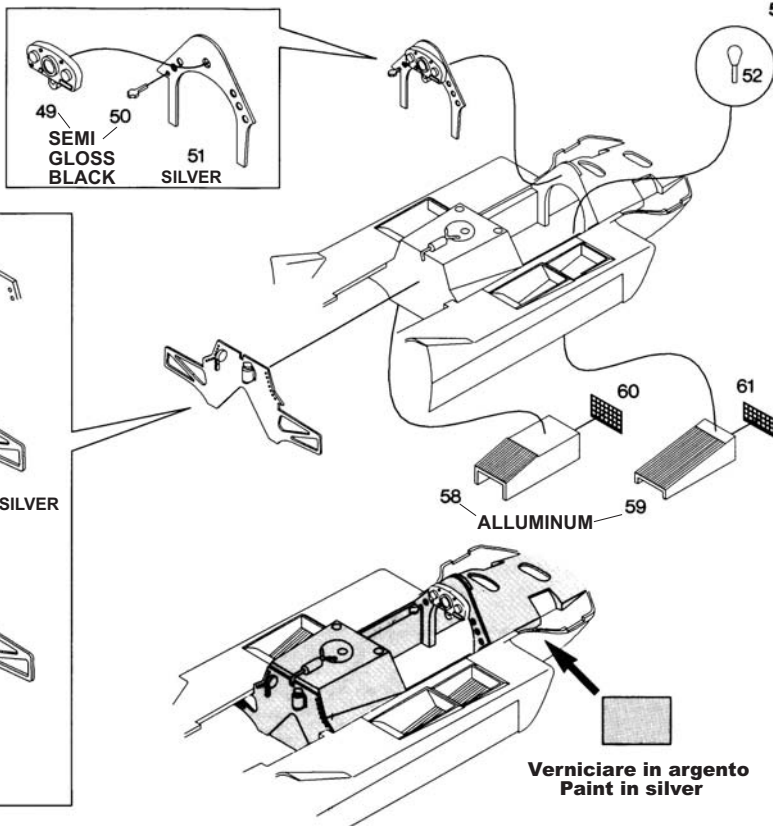
website www.tameokits.com
 e-mail sales@tameokits.com
 e-mail technical@tameokits.com

Made in Italy. Collector 1/43 Scale Models. Vietata la vendita ai minori di 14 anni. Nocivo per ingestione. Conservare fuori dalla portata dei bambini. Tameo Kits declina ogni responsabilità per un uso improprio del prodotto.

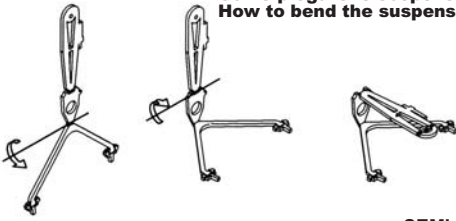
Made in Italy. Collector 1/43 Scale Models. Not for sale to persons under 14 years of age. Dangerous if swallowed. Keep out of reach of children. Tameo Kits not held responsible for any damage or injury resulting from improper use of the product.

Made in Italy. Collector 1/43 Scale Models. Vente interdite aux enfants de moins de 14 ans. Dangereux si avalé. Conservé hors de la portée des enfants. Tameo Kits décline toute responsabilité dans le cas de dommages dérivés de l'usage non approprié du produit.

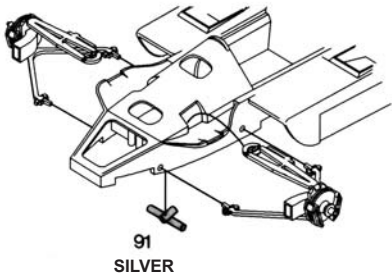
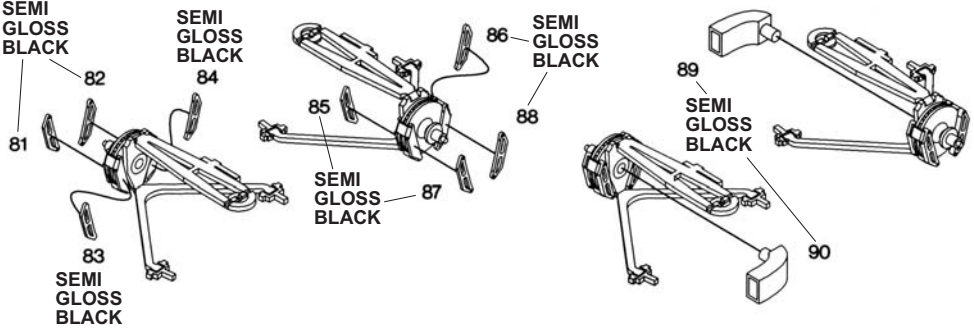
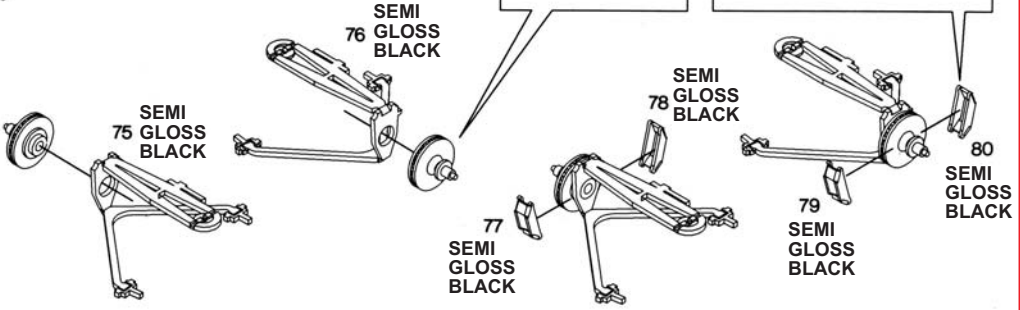
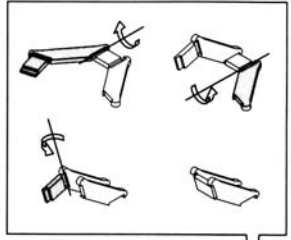
Made in Italy. Collector 1/43 Scale Models. Verkauf an jugendliche unter 14 Jahren verboten. Schädlich bei Einnahme. Von Kindern fernhalten. Tameo Kits lehnt jene Verantwortung bei unkorrektem Gebrauch seines Produktes ab.



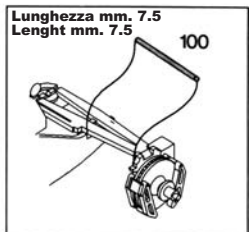
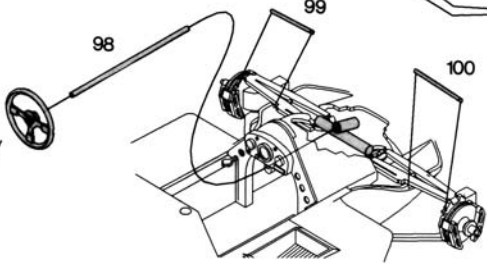
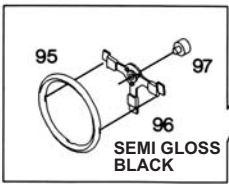
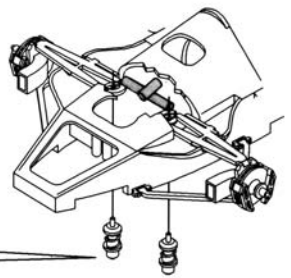
Come piegare le sospensioni
How to bend the suspensions

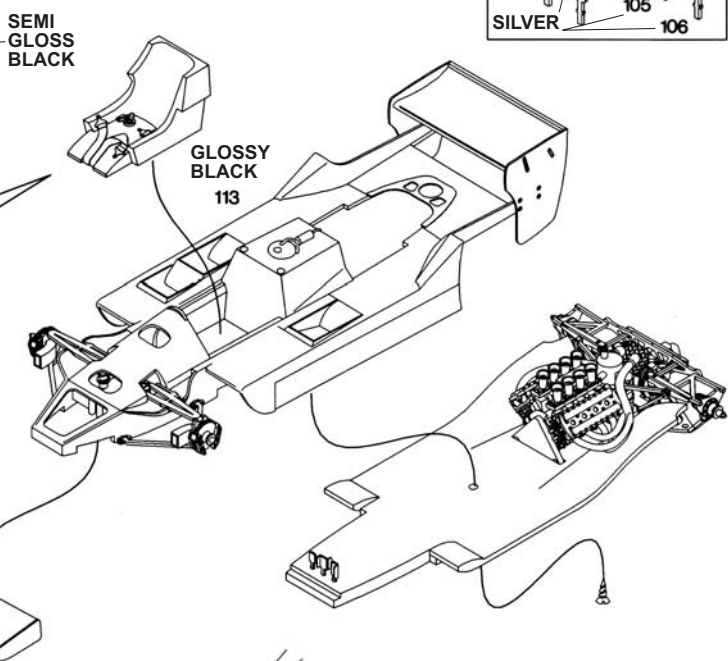
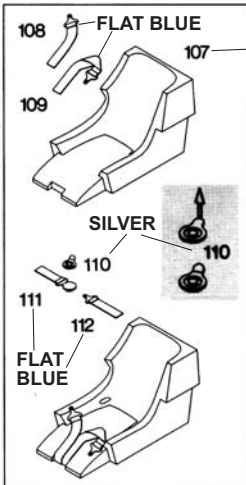
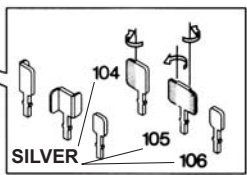
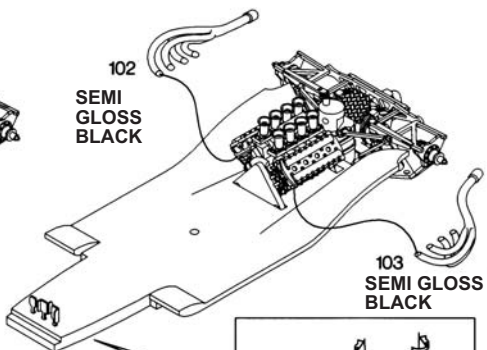
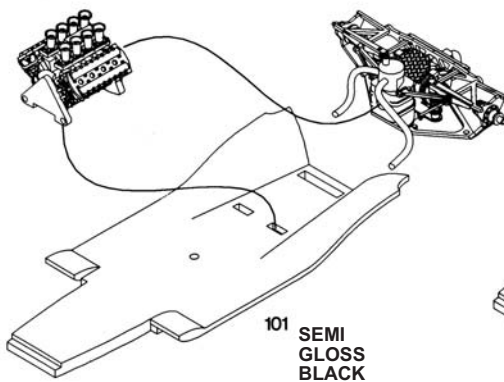


- 71 X 2 SILVER
- 72 X 2 SILVER
- 73 X 2 SILVER
- 74 X 2

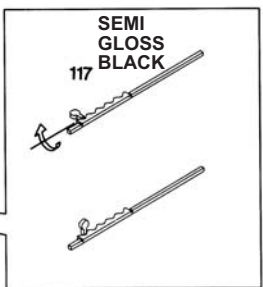
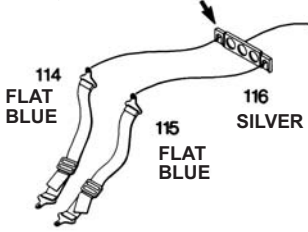


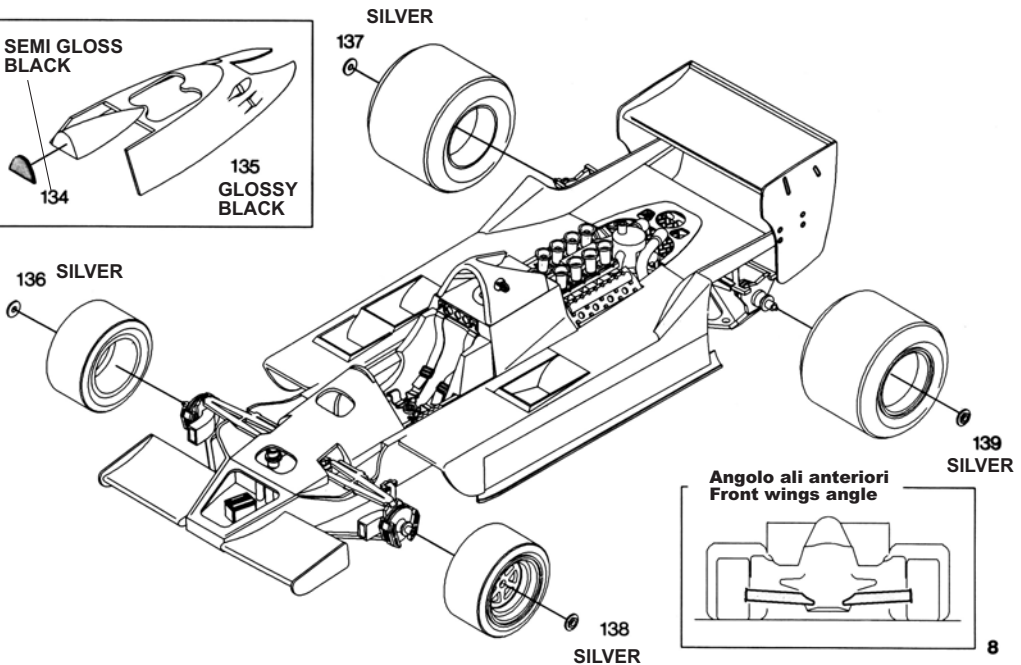
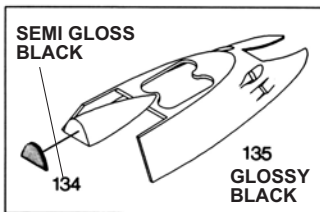
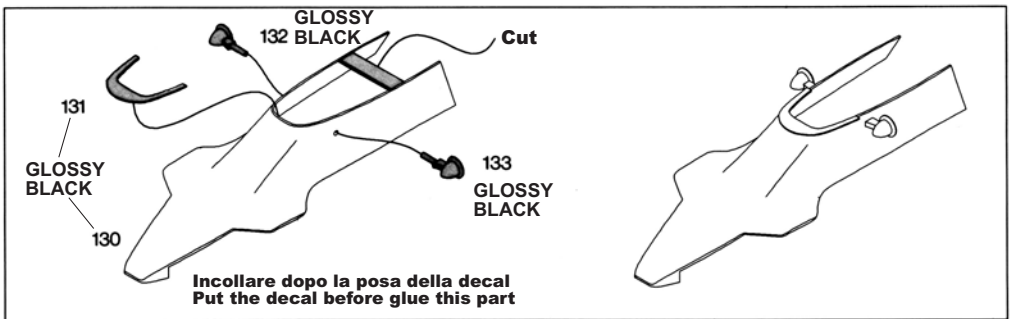
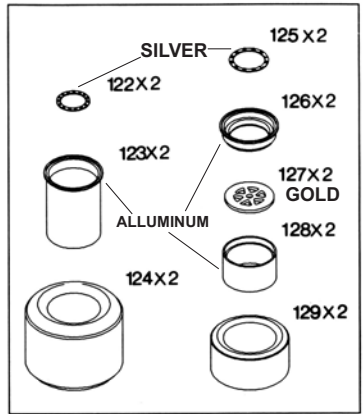
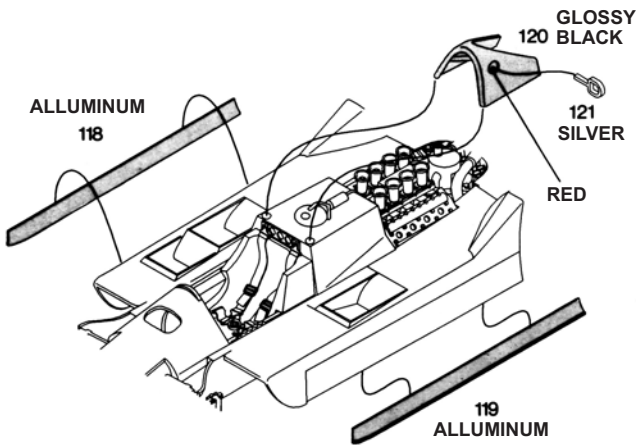
- Tagliare**
Cut
- 92 X 2
 - 93 X 2
 - 94 X 2





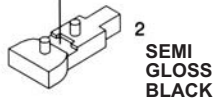
**Solo per Andretti
Only for Andretti**



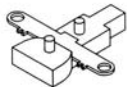




1 SILVER



2 SEMI GLOSS BLACK



SEMI GLOSS BLACK 3

Forare mm.1
To hole mm.1

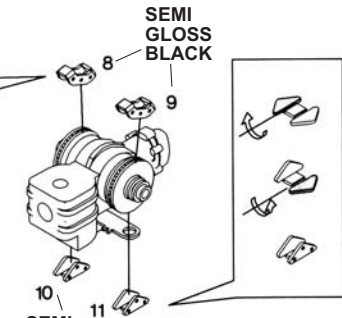
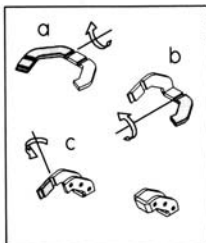
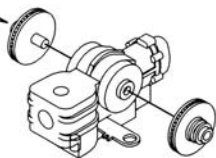


4 X 2
SILVER

5 X 2

6 X 2
SILVER

7 X 2
SILVER

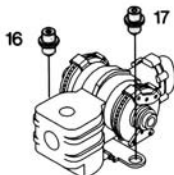


SEMI GLOSS BLACK 8

SEMI GLOSS BLACK 9

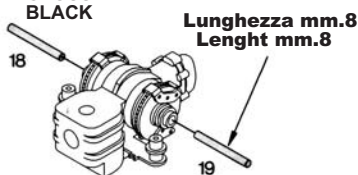
SEMI GLOSS BLACK 10

SEMI GLOSS BLACK 11



16

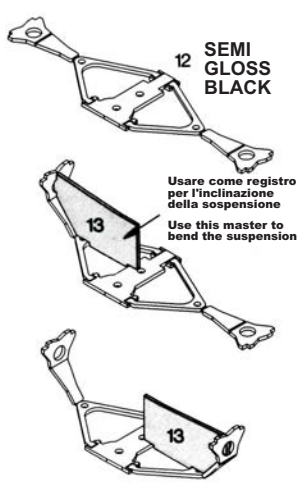
17



18

Lunghezza mm.8
Length mm.8

19



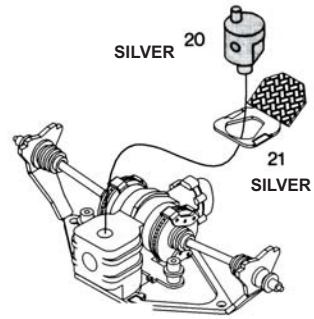
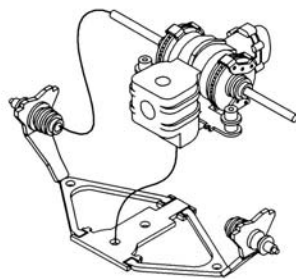
12 SEMI GLOSS BLACK

Usare come registro
per l'inclinazione
della sospensione

Use this master to
bend the suspension

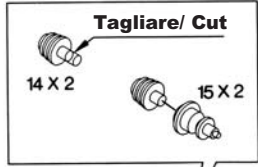
13

13



SILVER 20

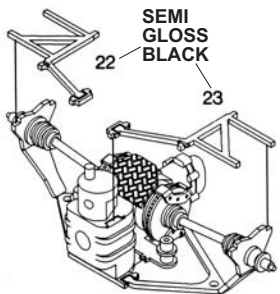
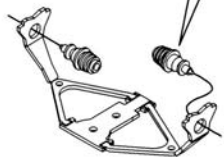
SILVER 21



14 X 2

15 X 2

Tagliare/ Cut



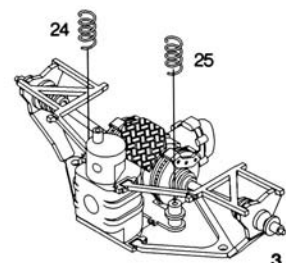
SEMI GLOSS BLACK 22

23

Tagliare/ Cut



24



24

25

**Incollare usando colla a due componenti
Glue the parts using only two-component glue**

